

# Cubic Press, 200 ton

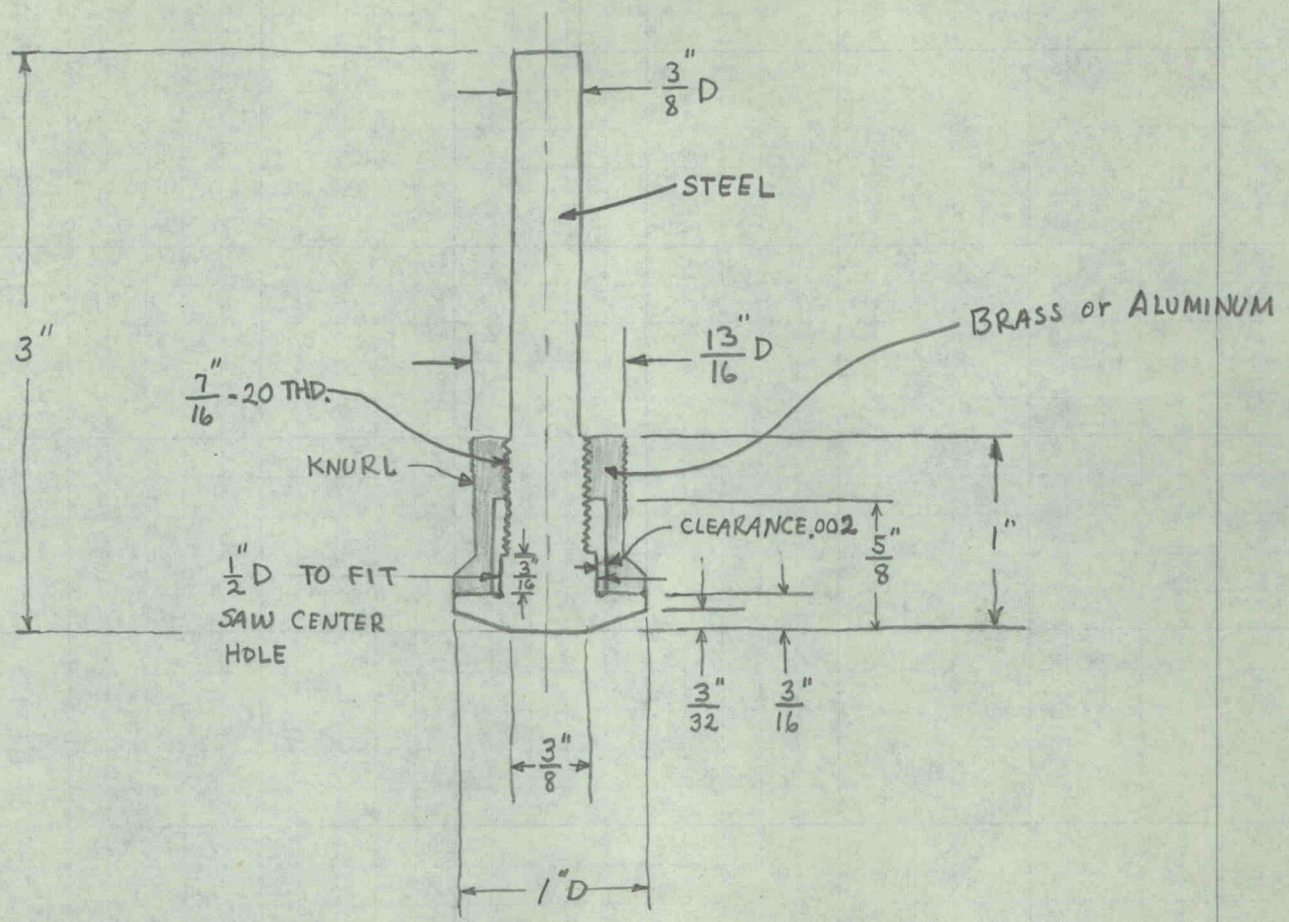
- ✓ Rams 6 ea 200 ton Rodgers Model A, # C1-8A-3-1/8 x 8
- ✓ Anvils (a) (for 110 lb) 6 ea Tungsten Carbide (6% C) 1 1/2" D x 2" L (to point) w 3/8" face  
 (b) (for 65 lb) " " 5/8" "  
 (c) (for 30 lb) " " 15/16" "
- ✓ Bridging Ring 6 ea 4" dia, 90° cone top w. scribe + key, <sup>steel</sup> Rc 30
- ✓ Back up block 6 ea WG 3" D x 1.750 H w 66° cone
- ✓ Positioner 6 ea 5" O.D. x 3" I.D. x 1" high, steel Rc 30
- ✓ Guide Plate 6 ea 9.5" O.D. x 3 1/8" I.D. x 3" high, hard al alloy with water cooling channel
- ✓ Guide Pin 12 ea, <sup>steel</sup> Rc 60 skin, 1" D x 5.70 L w 90° cones ea. end, buy 6 1/2" long + partially cone each end
- ✓ Tie Bar 12 ea, stress proof 44" L x 2.75" D, 12 T.P.I. each end for 9" length
- ✓ Ram Base 6 ea, 16 1/2" D x 5 1/2" thick, steel Rc 30 forging. ~ 200 ea for forgings
- ✓ Ram Base cap screw 6 ea, socket head cap screw 1"-14 UNC thd x 3 1/2" L. (3" long OK if 3 1/2" not available.)
- ✓ Outer Tie-bar Nut 24 ea, 4 1/2" O.D. x 2 3/4" L. x 2 3/4" - 12 T.P.I., <sup>forged</sup> Rc 30 steel or stress proof
- ✓ Inner Tie-bar Nut 24 ea, 4" O.D. x 1 1/2" L x 2 3/4" - 12 T.P.I., Rc 30 steel
- ✓ Insulating disk 6 ea, 5" D x ~.025" thk

40004000

HOLDING TOOL  
for Pen-nib slitting saws

1"

H. J. Hall 2 Feb 1966



40004001

CONFIDENTIAL  
THIS DOCUMENT IS SUBJECT TO COURT ORDER

Cubic Press, 200 ton

- ✓ Rams 6 ea 200 ton Rodgers Model A, # C1-8A-3-1/8 x 8
- ✓ Anvils (a) (for 110 kbt) 6 ea Tungsten Carbide (6% Co) 1 1/2" D x 2" L (to point) w 3/8" face  
 (b) (for 65 kbt) " " " 5/8" "  
 (c) (for 30 kbt) " " " 15/16" "
- ✓ Binding Ring 6 ea 4" dia, 90° cone top w. scribe + key, <sup>steel</sup> Rc 30
- ✓ Back up block 6 ea WG 3" D x 1.750 H w 66° cone
- ✓ Positioner 6 ea 5" O.D. x 3" I.D. x 1" high, steel Rc 30
- ✓ Guide Plate 6 ea 9.5" O.D. x 3 1/8" I.D. x 3" high, hard al alloy with water cooling channel
- ✓ Guide Pin 12 ea, <sup>steel</sup> Rc 60 skin, 1" D x 5.70 L" w 90° cones ea. end, long 6 1/2" long + partially cone each end
- ✓ Tie Bar 12 ea, stress proof 44" L x 2.75" D, 12 T.P.I. each end for 9" length
- ✓ Ram Base 6 ea, 16 1/2" D x 5 1/2" thick, steel Rc 30 forging.
- ✓ Ram Base Cap Screw 6 ea, Socket Head Cap Screw 1"-14 UNC thd x 3 1/2" L. (3" long OK if 3 1/2" not available.)
- ✓ Outer Tie-bar Nut 24 ea, 4 1/2" O.D. x 2 3/4" L. x 2 3/4" - 12 T.P.I., <sup>forged</sup> Rc 30 steel or stress proof
- ✓ Inner Tie-bar Nut 24 ea, 4" O.D. x 1 1/2" L x 2 3/4" - 12 T.P.I., Rc 30 steel
- ✓ Insulating disk 6 ea, 5" D x ~.025" thk

40004002